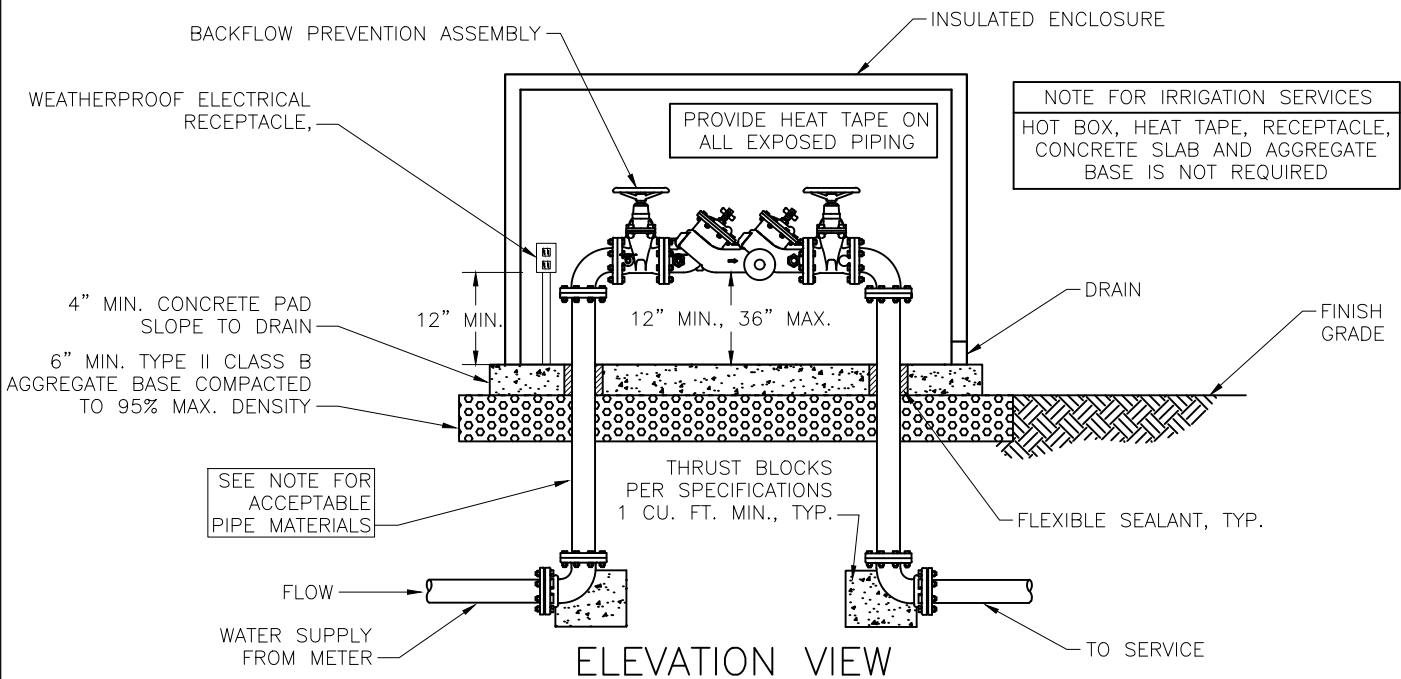


PLAN VIEW



ELEVATION VIEW

NOTES:

1. REDUNDANT FREEZE PROTECTION (ABOVE GROUND INSULATED BOX AND HEAT TAPE) IS REQUIRED FOR ALL SERVICES.
2. INSULATED BOX LID MUST SWING CLEAR OF BACKFLOW ASSEMBLY TO PROVIDE CLEARANCES SHOWN IN PLAN VIEW.
3. STOP AND WASTE VALVES ARE NOT TO BE USED BETWEEN THE METER AND THE BACKFLOW PREVENTION ASSEMBLY.
4. ABOVE GROUND INSULATED BOX MUST PROVIDE ADEQUATELY SIZED DAYLIGHT DRAINS AT PAD LEVEL FOR DRAINAGE.
5. ELECTRICAL SUPPLY SOCKETS MUST BE AWAY FROM WATER RELIEF PORT AND TEST COCKS.
6. BACKFLOW PREVENTION ASSEMBLY TYPE TO BE DETERMINED PER NAC 445A AND SVGID REQUIREMENTS.
7. RISER PIPE TO BE BRASS WITH FOR ALL PIPES LESS THAN 3" IN DIAMETER. FLANGED DUCTILE IRON TO BE USED FOR PIPE 3" AND GREATER IN DIAMETER. ALL PIPING SHALL BE NSF 14 OR NSF 61 CERTIFIED. PROVIDE DIAELECTRIC INSULATION KITS BETWEEN ALL DISSIMILAR MATERIALS.
8. INSULATED ENCLOSURE SHALL BE REINFORCED ALUMINUM OR FIBERGLASS CONSTRUCTION, PROVIDING ACCESS THROUGH DOORS AND/OR HINGED LID FOR TESTING/CERTIFICATION AND SHALL BE TOTALLY REMOVABLE. THE ENCLOSURE SHALL BE STRUCTURALLY LINED WITH INSULATION AND CONTAIN A THERMOSTATICALLY CONTROLLED HEAT SOURCE MOUNTED TO THE INTERIOR WALL FOR PROTECTION TO -30°F. THE ENCLOSURE SHALL CONTAIN DRAIN OPENINGS FOR RP DEVICES SIZED TO ACCOMMODATE THE MAXIMUM RP DISCHARGE. THE DOOR OPENINGS SHALL BE PROTECTED AGAINST INTRUSION OF EITHER WIND, DEBRIS AND ANIMALS. THE ENCLOSURE SHALL BE PERMANENTLY ANCHORED AND CONTAIN LOCKABLE ACCESS DOORS AND/OR LID. THE ENCLOSURE SHALL BE CERTIFIED IN ACCORDANCE WITH ASSE-1060 - PERFORMANCE REQUIREMENTS FOR OUTDOOR ENCLOSURES.