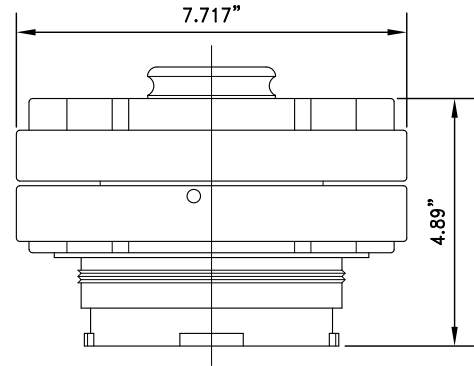
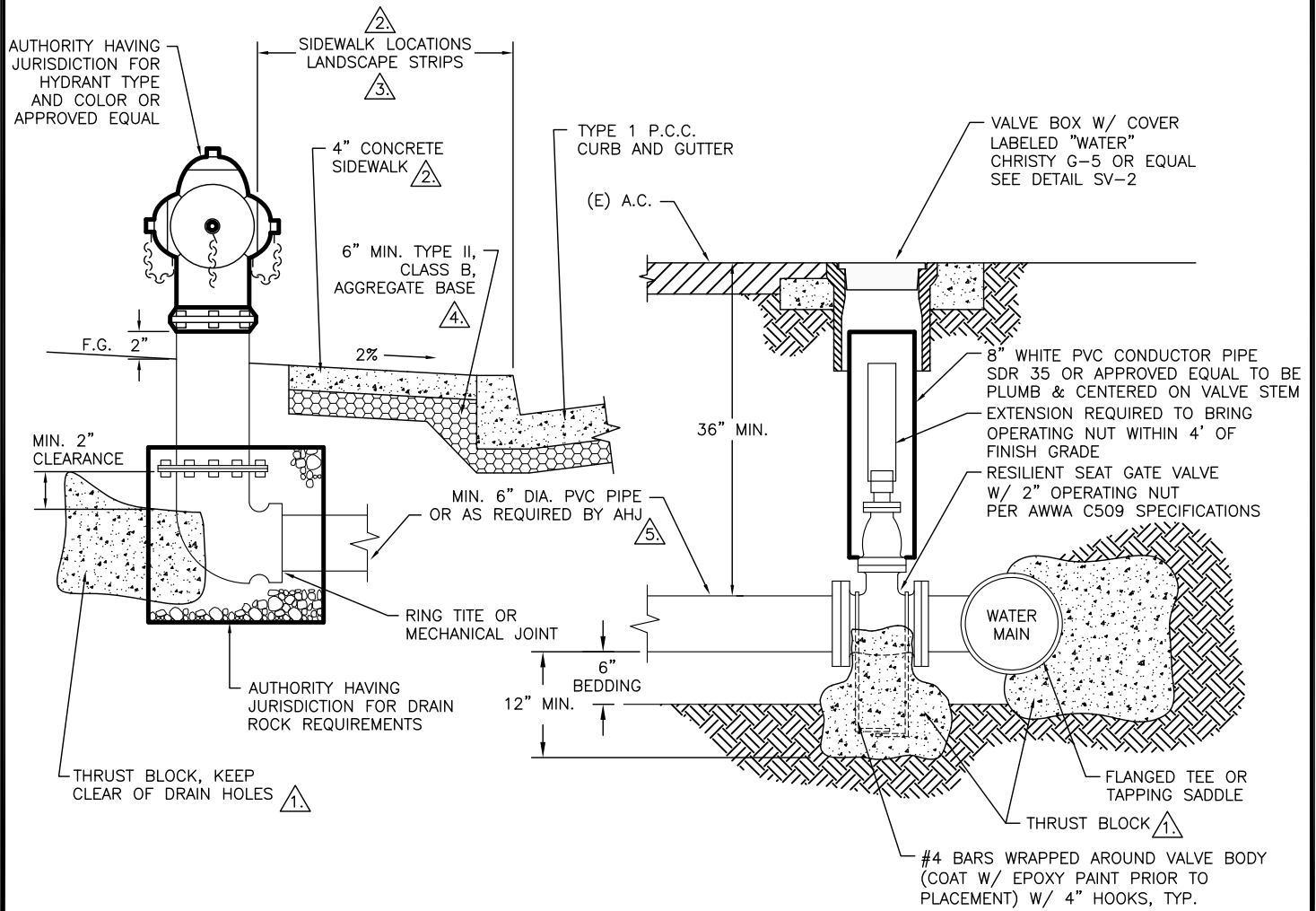


OPERATING NUT – PENTAGON



INTEGRAL 5" STORZ PUMPER NOZZLE ASSEMBLY



ELEVATION

OPERATING VALVE



PREPARED BY



NOTES:

- 1. SEE DETAIL SV-7 FOR THRUST BLOCK SIZE AND CHARACTERISTICS. PORTLAND CEMENT CONCRETE (P.C.C.) SHALL HAVE THE FOLLOWING CHARACTERISTICS: 4000 PSI MINIMUM COMPRESSIVE STRENGTH AT 28 DAYS, MINIMUM 6 SACKS OF CEMENT PER CUBIC YARD OF CONCRETE WITH A MAXIMUM WATER/CEMENT RATIO OF 0.45, AIR ENTRAINMENT 6% ±1.5%, SLUMP AT 1 TO 4 INCHES. ALL MATERIALS SHALL CONFORM TO THE STANDARD SPECIFICATIONS FOR PUBLIC WORKS CONSTRUCTION, LATEST EDITION, SECTION 202.
- 2. FIRE HYDRANTS SHALL BE WITHIN 6 INCHES OF THE BACK EDGE OF THE SIDEWALK WHEN THE SIDEWALK IS 5 FEET OR LESS IN WIDTH. CONTACT AHJ FOR PROPER HYDRANT LOCATION IF THE SIDEWALKS ARE WIDER THAN 5 FEET.
- 3. WHEN A LANDSCAPE STRIP IS BETWEEN THE CURB AND THE SIDEWALK, OR FOR CURBS ONLY, FIRE HYDRANTS SHALL BE 2 FEET FROM THE FACE OF THE CURB.
- 4. BASE SHALL BE 6" MIN. TYPE II, CLASS B AGGREGATE, COMPACTED TO A MINIMUM 95% OF MAXIMUM DRY DENSITY.
- 5. WATER PIPE SHALL BE PVC CLASS 150 OR REQUIRED BY AHJ.
- 6. FIRE HYDRANT COLOR TO BE SPECIFIED BY AHJ (SEE COLOR SCHEDULE BELOW).
- 7. ALL HYDRANTS SHALL HAVE TWO 2-1/2" HOSE NOZZLES AND ONE 4-1/2" STREAMER NOZZLE POINTED TOWARD STREET OR AS DIRECTED BY RENO FIRE DEPARTMENT.
- 8. INSPECTION BY SVGID SHALL BE REQUIRED PRIOR TO BACKFILLING.
- 9. NO FENCES SHALL BE ALLOWED WITHIN 3 FEET OF ANY PORTION OF A FIRE HYDRANT.

FIRE HYDRANT COLOR SCHEDULE

RENO

ALL HYDRANTS TO BE FACTORY ENAMELED SAFETY RED.

SPARKS

PUBLIC HYDRANTS TO BE FACTORY ENAMELED SAFETY YELLOW.

PRIVATE HYDRANTS TO BE FACTORY ENAMELED SAFETY RED.

WASHOE COUNTY

PUBLIC HYDRANTS TO BE FACTORY ENAMELED SAFETY RED.

PRIVATE HYDRANTS TO BE FACTORY ENAMELED SAFETY RED WITH HIGH REFLECTIVE WHITE TOP.