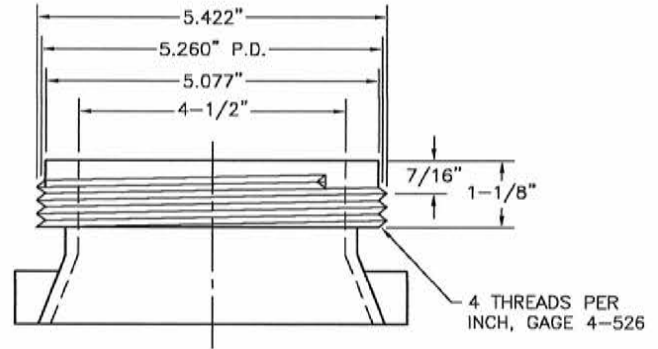
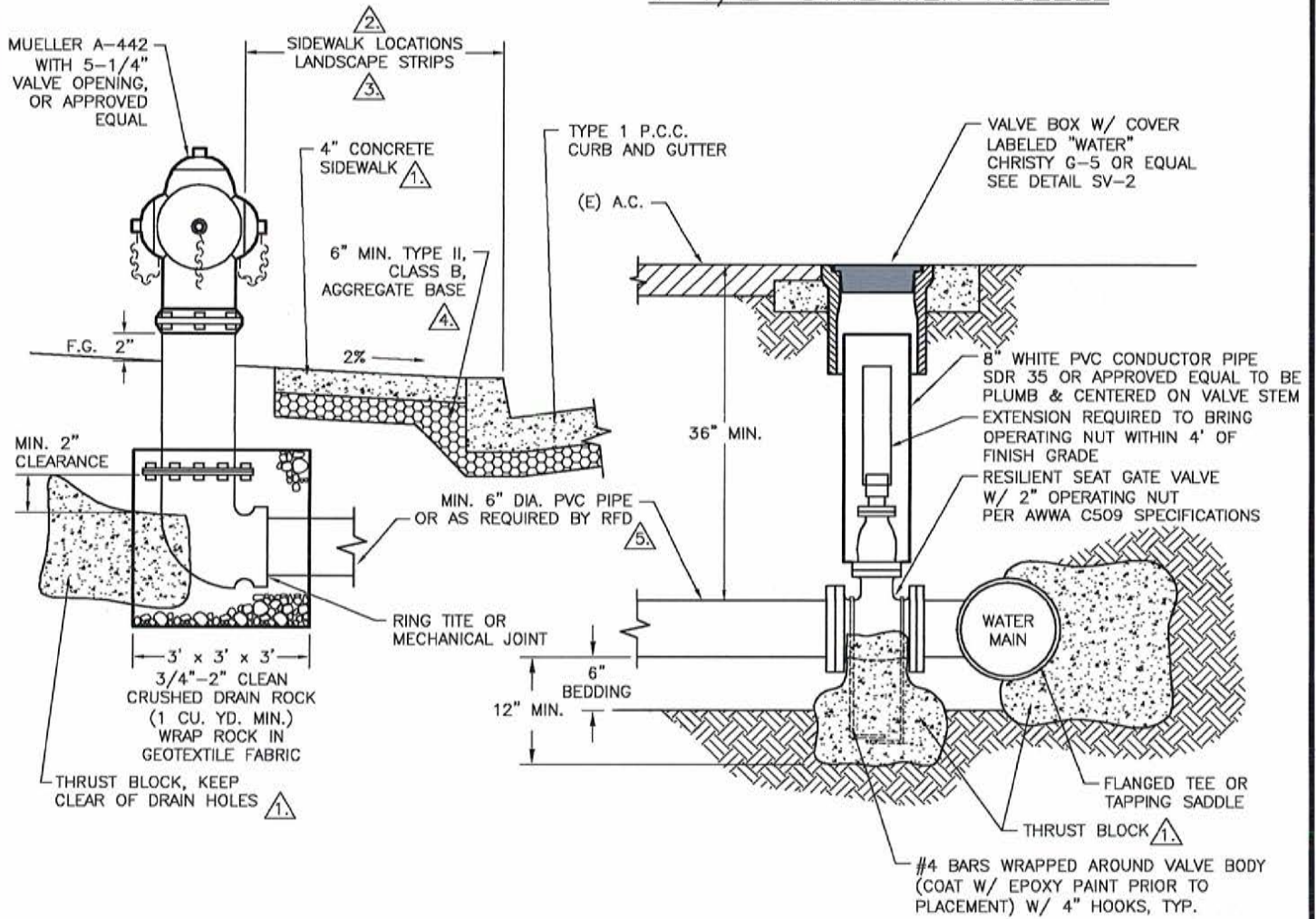


OPERATING NUT – PENTAGON



4-1/2" STREAMER NOZZLE



ELEVATION

OPERATING VALVE



NOTES:

1. SEE DETAIL SV-7 FOR THRUST BLOCK SIZE AND CHARACTERISTICS. PORTLAND CEMENT CONCRETE (P.C.C.) SHALL HAVE THE FOLLOWING CHARACTERISTICS: 4000 PSI MINIMUM COMPRESSIVE STRENGTH AT 28 DAYS, MINIMUM 6 SACKS OF CEMENT PER CUBIC YARD OF CONCRETE WITH A MAXIMUM WATER/CEMENT RATIO OF 0.45, AIR ENTRAINMENT 6%  $\pm$ 1.5%, SLUMP AT 1 TO 4 INCHES. ALL MATERIALS SHALL CONFORM TO THE STANDARD SPECIFICATIONS FOR PUBLIC WORKS CONSTRUCTION, LATEST EDITION, SECTION 202.
2. FIRE HYDRANTS SHALL BE WITHIN 6 INCHES OF THE BACK EDGE OF THE SIDEWALK WHEN THE SIDEWALK IS 5 FEET OR LESS IN WIDTH. CONTACT THE RENO FIRE DEPARTMENT FOR PROPER HYDRANT LOCATION IF THE SIDEWALKS ARE WIDER THAN 5 FEET.
3. WHEN A LANDSCAPE STRIP IS BETWEEN THE CURB AND THE SIDEWALK, OR FOR CURBS ONLY, FIRE HYDRANTS SHALL BE 2 FEET FROM THE FACE OF THE CURB.
4. BASE SHALL BE 6" MIN. TYPE II, CLASS B AGGREGATE, COMPACTED TO A MINIMUM 95% OF MAXIMUM DRY DENSITY.
5. WATER PIPE SHALL BE PVC CLASS 150.
6. HYDRANT SHALL BE ENAMELED RED.
7. ALL HYDRANTS SHALL HAVE TWO 2-1/2" HOSE NOZZLES AND ONE 4-1/2" STREAMER NOZZLE POINTED TOWARD STREET OR AS DIRECTED BY RENO FIRE DEPARTMENT.
8. INSPECTION BY SVGID SHALL BE REQUIRED PRIOR TO BACKFILLING.
9. NO FENCES SHALL BE ALLOWED WITHIN 3 FEET OF ANY PORTION OF A FIRE HYDRANT.